

## Burns and Ferrall Locations

**AUCKLAND**  
12 Reg Savory Place  
East Tamaki, Auckland

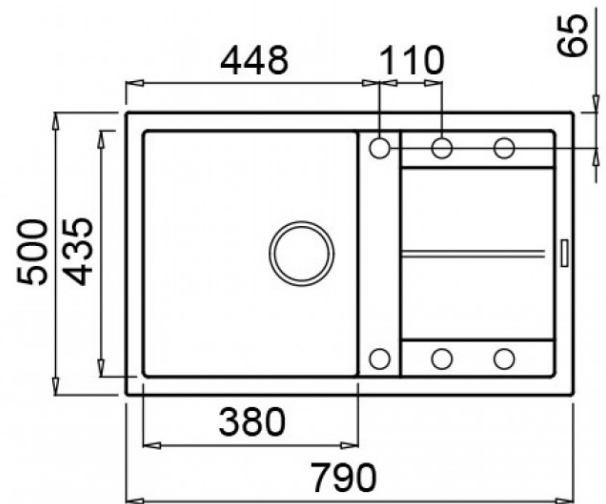
0800 697 465

**WELLINGTON**  
122-124 Tory Street  
Te Aro

**HAMILTON**  
60 Alexandra Street  
Central

**CHRISTCHURCH**  
345 St Asaph Street  
Christchurch

## Product Specification Sheet ELGU300-40



### Unico Insert 300

Elleci Unico 380 Single Bowl With Drainer

#### Models

ELGU300-40 *Black*  
ELMU300-79 *Aluminium*

#### Corner Radius

10mm

#### Overall Dimensions W x D

790 x 500mm

#### Waste

90mm

#### Bowl Dimensions W x D x H

380 x 435 x 200mm

#### Minimum Cabinet Size

500mm

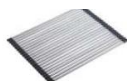
#### Material & Finish

G40 Granite, Honed  
M79 Metaltek, Honed

#### Accessories Available (optional)



**BFDDB**  
DRAINING BASKET  
390 X 325mm



**BFDRMB**  
ROLLER MAT  
480 X 450mm

E&OE – it is recommended all measurements are taken directly from the product. Specification subject to change without notice, always consult the literature supplied with the product. Coloured images are indicative only.